



Feed Cylinder

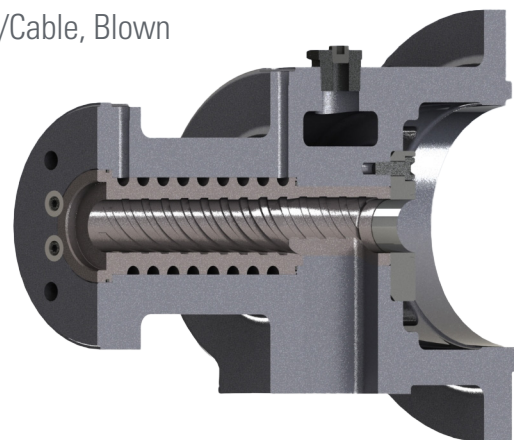
Enhance Extrusion Efficiency with Advanced Feed Throats

In any extrusion process, the feed throat plays a crucial role. When it wears out, resin feeding becomes unreliable, leading to decreased production rates and higher energy consumption.

At Davis-Standard, we specialize in diagnosing the root cause and offering tailored solutions. Our new feed throats not only restore your operations to their original performance specifications but can also enhance performance levels for even better results. Featuring hardened sleeves to withstand abrasive additives and coatings that resist corrosive resins and off-gassing, our products ensure durability. Additionally, our grooved designs facilitate the conveyance of slippery materials. Whether you seek to restore peak performance to your extruder or adapt to new materials, our experienced team is here to provide the necessary expertise and products.

Applicable Processes:

Extrusion Coating, Laminating, Cast Film, Sheet, Wire/Cable, Blown



KEY FEATURES



Cost Savings

- Improve energy efficiency
- Higher throughput



Flexibility

- Grooved design allows for broader range of materials to run
- Hardened sleeves withstand abrasive additives, while coatings resist corrosive resins and off-gassing.