



DAVIS-STANDARD®

Where your ideas take shape.

Nip Roll Cleaner

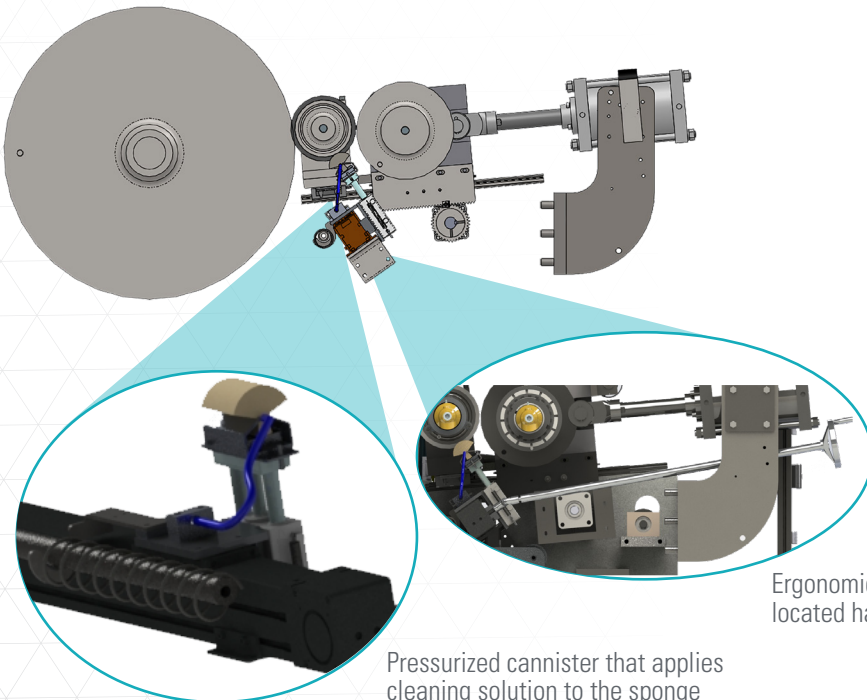
Simple, safe and keeps you rolling!

Maintaining quality rolls in your extrusion laminating process often presents a dilemma: compromise the safety of your operator and machine by cleaning the nip roll while the machine runs, or stop the line, causing a production halt for a safe cleaning process.

Davis-Standard offers a viable solution — the Nip Roll Cleaner. This mechanism enables operators to clean the nip roll from a secure distance while the machine continues running. It utilizes a pressurized canister to apply cleaning fluid to a sponge that moves across the roll face on a manually powered slide. With this option, there's no need to compromise safety or production time for quality rolls.

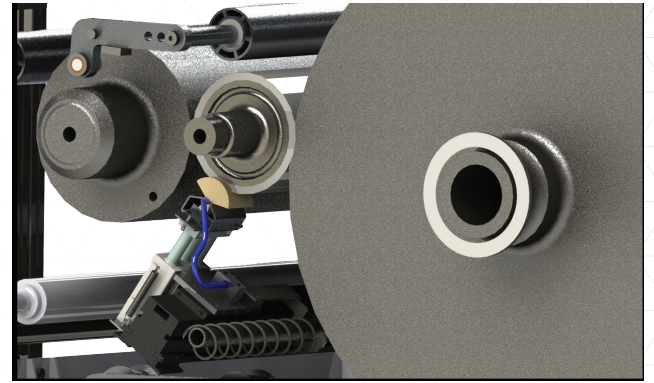
Applicable Processes:

Extrusion Coating, Extrusion Laminating



Pressurized cannister that applies cleaning solution to the sponge

Ergonomically located handwheel.



Nip Roll Cleaner

KEY FEATURES

Safety



- Reduces chance of injury to operator during manual cleaning.
- Reduces the possibility of machine damage due to cleaning products being inadvertently dropped into the nip.
- Improved ergonomics.

Increase Uptime



- Cleans the nip roll with out shutting down the line.

www.davis-standard.com
+1 860-362-2859