



DAVIS-STANDARD®

Where your ideas take shape.

Heater Blanket

Enhance your performance by keeping heat where it's needed

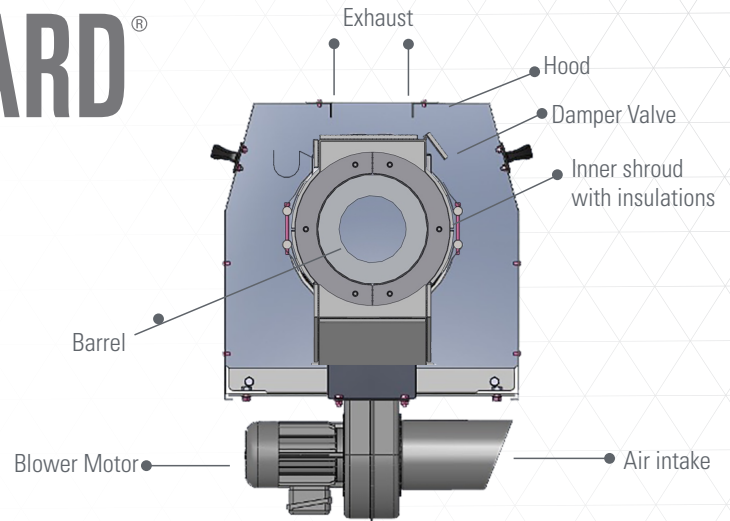
Optimize your plant's energy efficiency with Davis-Standard's extruder heater blanket. Our design reduces heat loss from the extruder, resulting in significant energy cost savings.

The stainless steel shroud, equipped with dampers, minimizes heat loss while maintaining proper airflow. The layered thermal blanket, attached with Velcro®, ensures easy installation and removal.

A durable Teflon®-coated high-temperature fabric cover provides a snug fit, minimizing insulation dust. The design includes multiple exit points for wire leads, accommodating components like pressure transducers and thermocouples. Enhance your operation's performance by keeping heat where it's needed.

Applicable Processes:

Extrusion Coating, Laminating, Cast Film, Blown Film, Extrusion



KEY FEATURES



Sustainable

- Reduces energy used by machine.



Ease of Use

- Quick and easy installation.
- Maintains proper airflow.



Cost Saving

- Reduces energy costs.



www.davis-standard.com
+1 860-362-2859