



DAVIS-STANDARD®

Where your ideas take shape.

Drool Tray

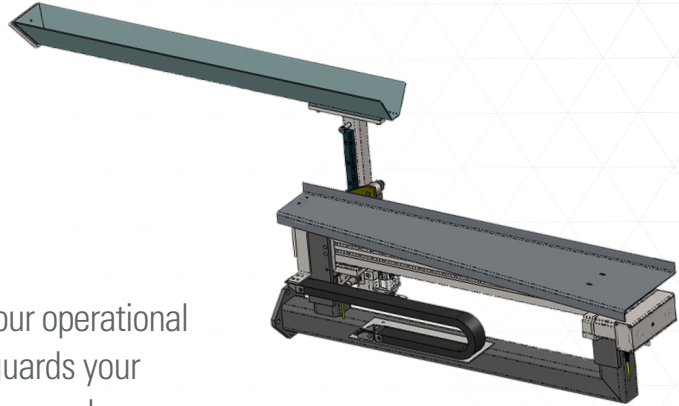
A Simple Solution with Huge Benefits

It is the finer details that significantly enhance your operational convenience. Davis-Standard's Drool Tray safeguards your machinery and your operator, protecting them from polymer melt while the extrusion carriage is in motion toward the online position. This automated retrofit empowers the operator to relocate the tray from a safe distance while ensuring consistent protection of the nip roll.

The tray is thoughtfully coated with Teflon to facilitate the release of molten and solidified polymer, simplifying the cleanup process. It's time to transition from the conventional solution and embrace an upgraded, more efficient alternative.

Applications

- Includes interlock to ensure die height is adequate to prevent collision with drool tray.



Drool Tray



Safety

- Helps to prevent crushing hazard by the extrusion carriage.
- Helps to prevent burn hazard from the die.
- Helps to prevent the potential of falling into the laminator nip.



Increase Uptime

- Minimizes wrap-ups from polymer melt falling on the nip roll.
- Minimizes cleanup from polymer melt falling on the side frame and mechanical drive.

