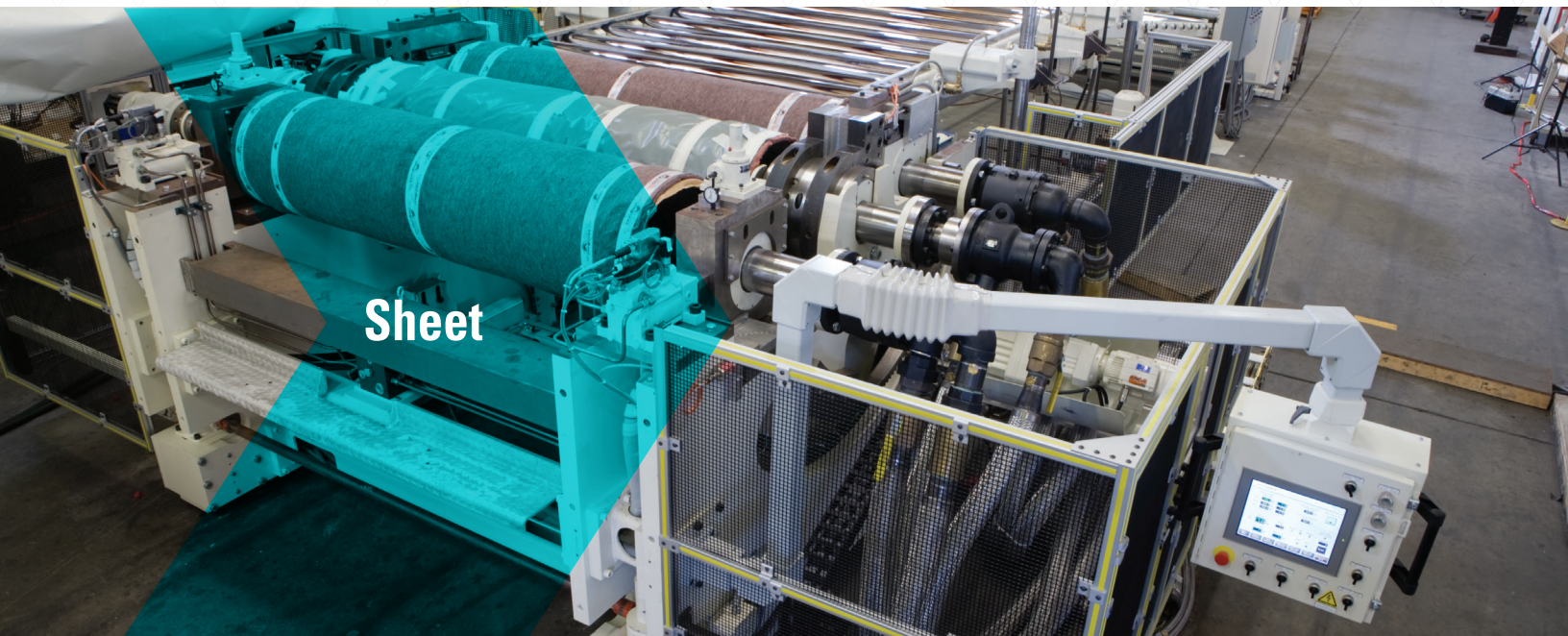




DAVIS STANDARD®

Where your ideas take shape.



XP-HQ Series Orbital Rollstand

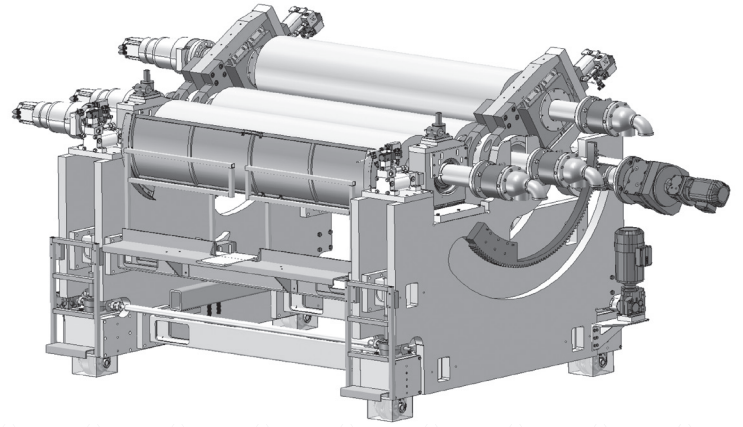
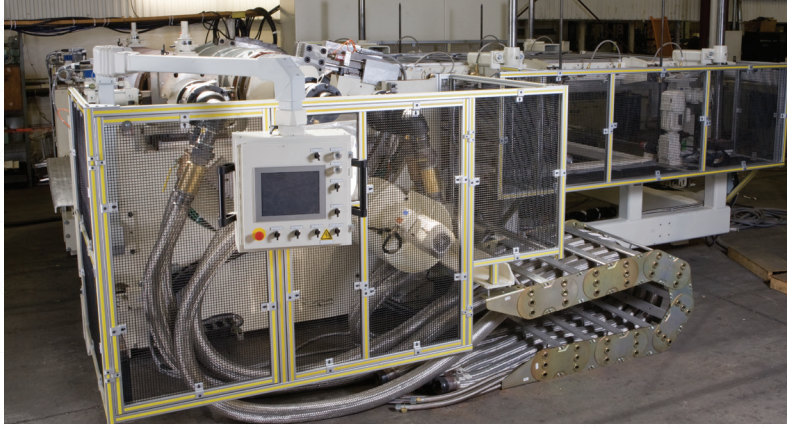
Overview

The XP-HQ series orbital rollstand has been designed for the high quality sheet market and is specialized for high-end electronics and high-clarity applications. The special orbital design allows for production of several materials as well as a range of wide thickness products.

Features

- 110° of third roll orbital movement
- Dual-side frame design
- Hand-free gap adjustment is standard
- Thickness from 0.006 - 0.500 inches (0.15 - 12.5mm)
- Designed for widths from 24 - 80 inches (600 - 2030mm)
- High-precision planetary gearboxes
- Quick roll change design

XP-HQ Series Orbital Rollstand



XP-HQ Express Systems

- Designed for high-clarity resins such as PC, PMMA, and PETG, as well as alloys for high-quality or clarity applications, ranging in widths from 24 to 80 inches (600 to 2,030mm), matching extrusion capacities to meet your needs
- Utilizes direct roll actuation technology

Application

- Electronics sheet
- Embossed sheets
- Cut-to-length sheet

Design Concept

- Super-duty dual-side frame designed for strength and rigidity
- High-caliber machine tolerances

Chrome Roll Options

- Super gloss finishes available to .1 RTmax
- High-tolerance roll bearings with 0.0002 inches (0.08 microns) radial tolerance
- Oil or water-cooling options available
- High precision temperature control
- All rolls designed for quick roll change

Hands Free Roll Gap

- Sets and maintains roll gap
- Gap position or pressure control modes
- Roll gap control to 0.0002 inches (0.6 micron)

Drive Systems

- Super-duty dual-side frame designed for strength and rigidity
- High-caliber machine tolerances