

# LIQUID COATING & LAMINATING



## PRESSURIZED GRAVURE HEAD

### OVERVIEW

Davis-Standard's Pressurized Gravure Head (PGH) was developed to further enhance gravure coating by realizing and overcoming gravure deficiencies. The design of the PGH implements fluid flow dynamics and die technology. The PGH applies air free coating to the substrate or transfer roller. Davis-Standard's PGH allows for increased coatweight, increased production speed, reduced air entrainment, and removal of contaminants.

### DESIGN FEATURES

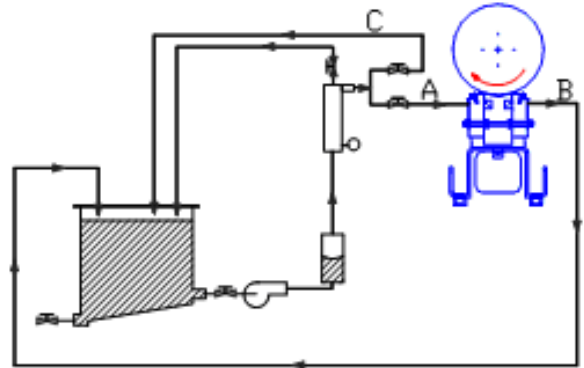
- Change Coatweights Easily
- Control Coating Flow
- Reduced Air Entrainment
- Increased Gravure Speeds
- Web Widths up to 160" (4064 mm) Wide
- Line Speeds up to 3000 fpm (914.4 mpm)
- Solvent, Water-Based, and 100% Solid Coatings

# PRESSURIZED GRAVURE HEAD

## DENSITY CHART

Flow Rate (A) GPM		4.44	5.54	6.67	7.50	8.00
Density to Head (C)	9.10	9.20	8.92	8.91	8.95	8.65
Return (B) Flow GPM		0.63	0.99	1.44	1.98	2.44
Return (B) Density	9.00	7.77	8.30	8.50	8.63	8.64

## DIAGRAM OF DENSITY SAMPLE SETUP



## Coatweight vs. Linespeed vs. Pressure

